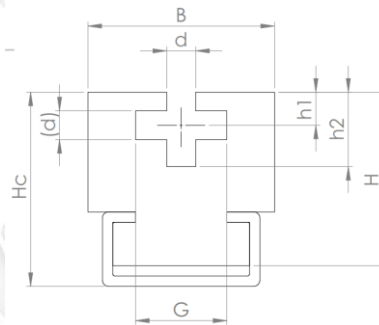


Profile 11

Sliding rail for round link chains

available as single or
double piece



Nominal thickness d

DIN 766/764

DIN 766/764	B	Hc	H	d	h1	h2	G	C-Profile
6	45	45	42	7	8	19,5	22	C-9
8	50	50	47	9,5	9,5	24	27	C-9
10	50	62	57	11,5	14	31,5	35	C-9
13	60	75	72	15	18	41,5	46	C-12

All special sizes available. (Tolerances acc. to DIN 2768 medium)